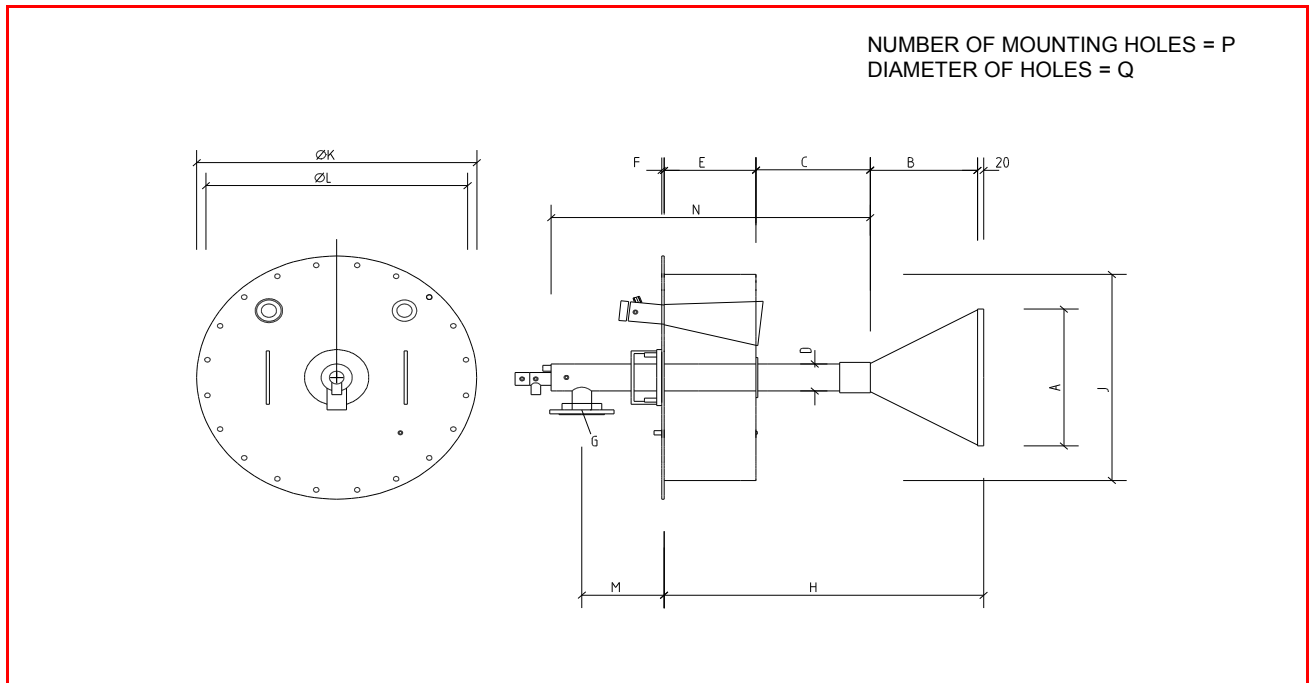


PRODUCT INFORMATION SHEET

**GENERAL DIMENSIONS OF FC FUME INCINERATION BURNERS
MOUNTING FLANGE DIMENSIONS TO DIN2632**

SIZE	A	B	C	D	E	F	G	H	J	K	L	M	N	P	Q
FC1	158	110	285	63.5	200	6	1"	615	400	505	450	150	685	16	12
FC2	201	150	290	76.2	200	6	1.5"	660	460	565	515	195	735	16	14
FC3	304	200	295	88.9	250	8	1.5"	765	460	565	515	195	790	16	14
FC4	330	230	343	88.9	250	8	1.5"	843	550	670	620	195	838	20	16
FC5	356	245	413	88.8	250	8	2"	928	550	670	620	225	938	20	16
FC6	386	276	430	101.6	300	8	NB65	1026	550	670	620	250	1030	20	16
FC7	436	305	380	101.6	300	8	NB65	1005	660	780	725	250	1030	20	18
FC8	520	350	460	114.3	300	8	NB80	1130	660	780	725	280	1140	20	18
FC9	570	400	500	114.3	300	8	NB80	1220	760	895	840	300	1200	24	18
FC10	624	460	500	114.3	300	10	NB100	1280	880	1015	950	300	1200	24	18
FC11	720	480	500	141.3	300	10	NB100	1300	980	1115	1050	300	1200	28	18
FC12	820	500	580	141.3	300	12	NB100	1400	1090	1230	1160	300	1280	28	18
FC13	910	550	640	141.3	300	12	NB100	1510	1090	1230	1160	300	1340	28	18
FC14	980	600	700	168.3	300	12	NB100	1620	1310	1455	1380	300	1400	32	18
FC15	1040	650	700	168.3	300	12	NB100	1670	1310	1455	1380	300	1400	32	18

NOTE - DRAWING DOES NOT SHOW VALVE ASSEMBLY & CONTROLS ETC.



COMTHERM LTD

**P.O.BOX 19, DROITWICH, WORCS, WR9 9AZ
TELEPHONE 01905 775783 FAX 01905 794195**

